

slip 204

482

305

320

600

597

609

596

560

496

698

700

701

335

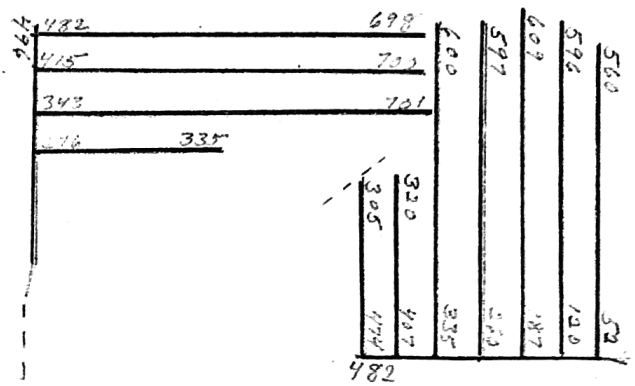
6999

ft. 4' + 5" 2

NORTH ROAD



WEST ROAD



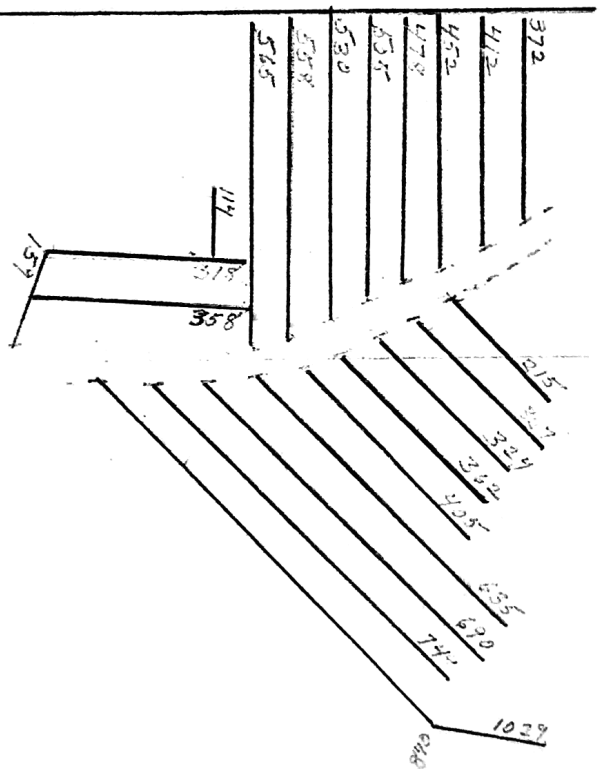
FLOWN NORTH end. 1970

159	215
358	327
318	324
114	362
565	405
538	635
530	690
505	749
778	1029
452	
412	
372	

NORTH ROAD

6412189

WEST ROAD



VINCE MANFRUIT

FLOYD KOHN cont. 1972

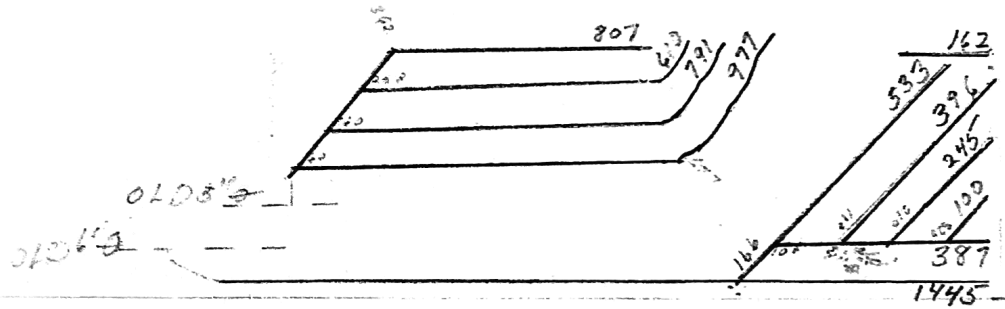
shop copy

less old &  
house  
+  
1000 sq ft

1445	977
162	791
533	610
396	80
245	
100	<u>6453</u>
387	

NORTH ROAD

WEST ROAD



2003 01 01 01 17 45 00